

# **Bathroom Accessories Set Manual**

**W-270(ES)**

# Warranty Duration

All components of this bathroom accessories set are covered under a lifetime limited warranty, ensuring they are free from defects in material and workmanship for the original purchaser.

# Repair and Replacement

If the product shows defects in material or workmanship under normal use and within the warranty period, we will, at our discretion, either repair the product or provide a replacement at no cost to the original purchaser. Please note that proof of purchase (e.g., an invoice) is required when requesting service. The warranty does not cover damages caused by improper installation, misuse, or modifications.

# Exclusions

We shall not be responsible for the following cases:

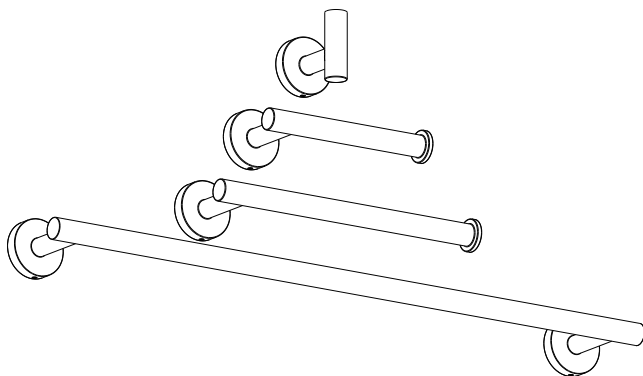
- Damage to the product caused by improper installation, misuse, unauthorized repair or replacement, or abuse (including damage during shipment).
- Damage to the product caused by improper dismantling after installation.
- Damage resulting from abnormal water pressure or impurities in water pipes, which is not covered under this warranty.
- Rust on the product due to insufficient care and maintenance, which is not covered under this warranty.
- Damage caused by natural disasters such as fire, flood, earthquake, lightning storms, etc., which is not covered under this warranty.

I hope this helps! If you have any further questions or concerns, please let me know.

# Having Trouble? Contact us.

✉ Email: [info@faucetsupport.com](mailto:info@faucetsupport.com)

☎ Toll Free: 1-888-969-6880



**M8203**  
**SFS-2003**

## **CONTENT**

**Bathroom Pendant Installation Instructions** ----- (1-2)

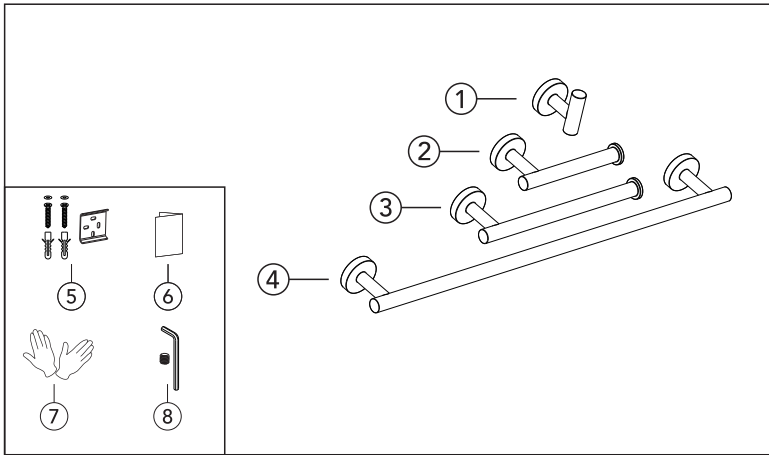
## **CONTENIDO**

**Instrucciones de Instalación del Colgante de Baño** ----- (3-4)

◆ **Usage and Maintenance**

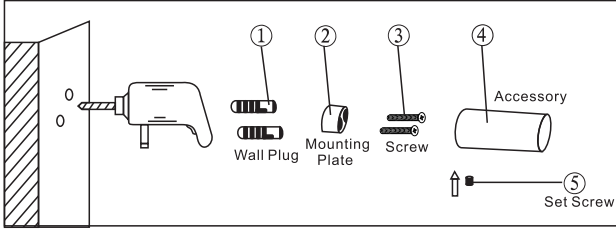
- 1.Regularly check the tightness of the accessories to ensure they are secure and safe.
- 2.Clean using mild detergents, avoiding strong acidic or alkaline cleaning products.
- 3.Replace any damaged accessories promptly.

◆ **Bathroom Accessories 4-Piece Set Component List**



No.	Part name	Qty	No.	Part name	Qty
1	Robe hook	1	5	Accessory screw components	1 set
2	Toilet paper holder	1	6	Instruction manual	1
3	Towel ring	1	7	Gloves	2
4	Single towel bar	1	8	Fixing screw pack	1 set

## ◆ Installation Steps



### 1. Determine Positions:

Mark the desired locations on the wall for each accessory.

### 2. Drill Holes and Install Wall Plugs:

Use an electric drill to create holes at the marked positions, then insert the wall plugs securely.

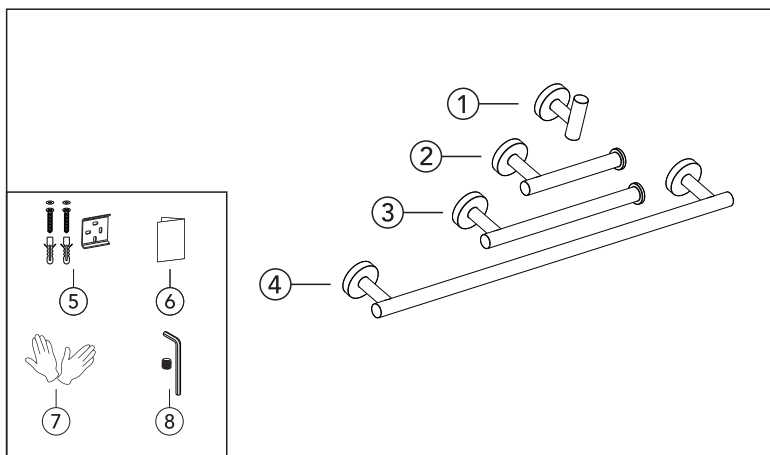
### 3. Fix Mounting Plates:

Secure the mounting plate with screws and loosen the set screw (but do not completely remove it). Place the accessory over the mounting plate, ensuring the set screw is at the bottom.

## ◆ Uso y Mantenimiento

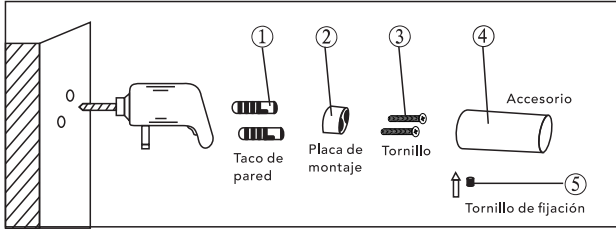
1. Revise regularmente el ajuste de los accesorios para asegurarse de que estén seguros y estables.
2. Limpie utilizando detergentes suaves, evitando productos de limpieza fuertemente ácidos o alcalinos.
3. Reemplace cualquier accesorio dañado de manera oportuna.

## ◆ Lista de Componentes del Juego de Accesorios de Baño de 4 Piezas



N.º	Nombre de la pieza	Cantidad	N.º	Nombre de la pieza	Cantidad
1	Gancho para bata	1	5	Componentes de tornillos para accesorios	1 juego
2	Portarrollo de papel higiénico	1	6	Manual de instrucciones	1
3	Anillo para toalla	1	7	Guantes	2
4	Barra para toalla individual	1	8	Paquete de tornillos de fijación	1 juego

## ◆ Pasos de Instalación



### 1. Determinar Posiciones:

Marque los lugares deseados en la pared para cada accesorio.

### 2. Perforar Agujeros e Instalar los Tacos de Pared:

Use un taladro eléctrico para crear agujeros en las posiciones marcadas, luego inserte los tacos de pared de manera segura.

### 3. Fijar las Placas de Montaje:

Asegure la placa de montaje con tornillos y afloje el tornillo de fijación (pero no lo quite completamente). Coloque el accesorio sobre la placa de montaje, asegurándose de que el tornillo de fijación esté en la parte inferior.