

# **Kitchen Faucet Installation Manual**

**W-50(ES)**

# Warranty Duration

All components of this faucet system are covered under a lifetime limited warranty, ensuring they are free from defects in material and workmanship for the original purchaser.

# Repair and Replacement

If the product shows defects in material or workmanship under normal use and within the warranty period, we will, at our discretion, either repair the product or provide a replacement at no cost to the original purchaser. Please note that proof of purchase (e.g., an invoice) is required when requesting service. The warranty does not cover damages caused by improper installation, misuse, or modifications.

# Exclusions


We shall not be responsible for the following cases:

- Damage to the product caused by improper installation, misuse, unauthorized repair or replacement, or abuse (including damage during shipment).
- Damage to the product caused by improper dismantling after installation.
- Damage resulting from abnormal water pressure or impurities in water pipes, which is not covered under this warranty.
- Rust on the product due to insufficient care and maintenance, which is not covered under this warranty.
- Damage caused by natural disasters such as fire, flood, earthquake, lightning storms, etc., which is not covered under this warranty.

I hope this helps! If you have any further questions or concerns, please let me know.

# Having Trouble? Contact us.

 Email: [info@faucetsupport.com](mailto:info@faucetsupport.com)

 Toll Free: 1-888-969-6880



**M3155**  
**SFS-1177**  
**Model:A**

## **CONTENT**

**1.Kitchen Faucet Installation Manual ----- (1-3)**

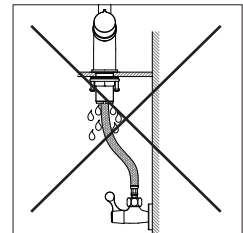
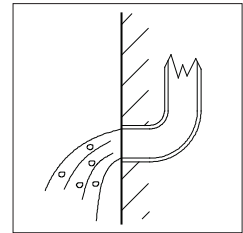
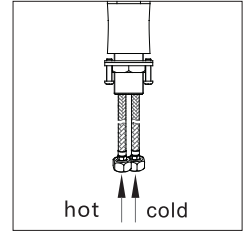
## **CONTENIDO**

**1.Manual de Instalación del Grifo de Cocina ----- (4-6)**

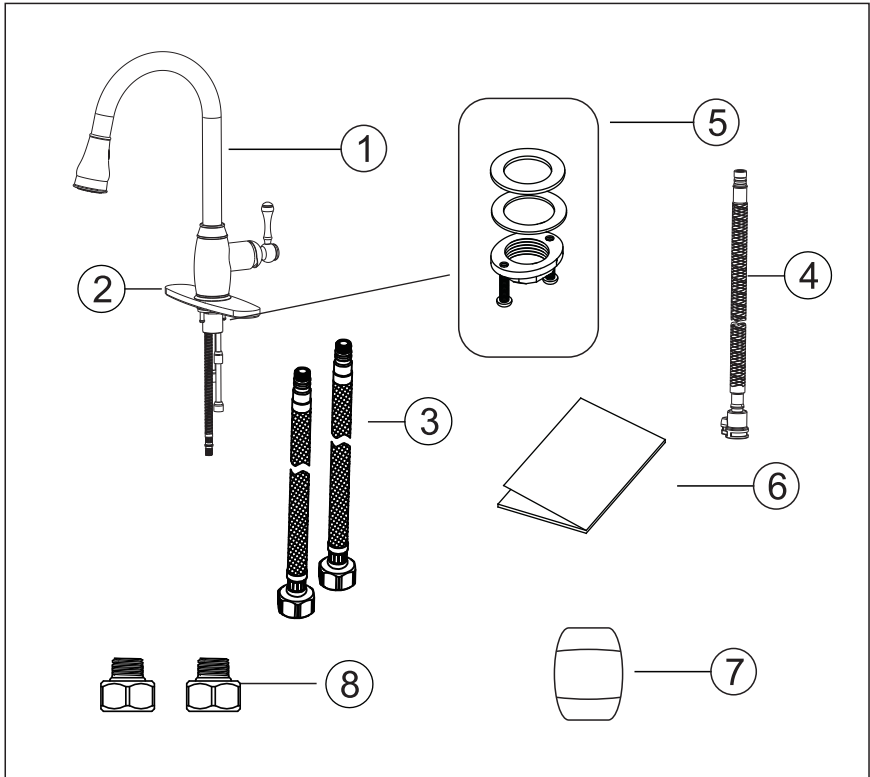
# Prior to Installation

---

1. Ensure that all necessary parts are available by referring to the diagram and parts list.
2. Ensure that your basin matches the kitchen faucet size.
3. Do not disassemble the main faucet body, as it has been properly installed and tested before delivery from the factory.
4. Turn off the hot and cold water supply before starting the installation.
5. To prevent the faucet from clogging, flush the water pipes before installation.
6. After completing the installation, check all joints and connections for leaks.



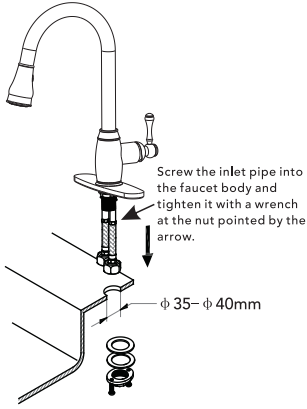
# Standard Part List



NO.	Part Name	Qty
1	Faucet body	1
2	Base	1
3	Inlet pipe	1
4	Quick-connect pipe	1 pair
5	Mounting Hardware(Rubber washer)metal Washer Mounting Nut Mounting Screws	1 set
6	Instruction manual	1
7	Weight balance	1
8	Hose adapter change G9/16 to G1/2	2

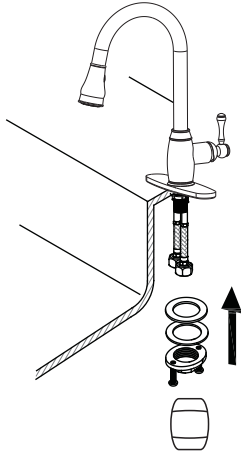
# Installation Step

1



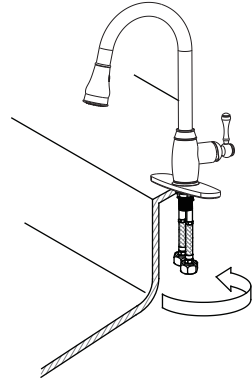
1. Remove mounting hardware from the shank. The gasket should remain on the faucet body.

2



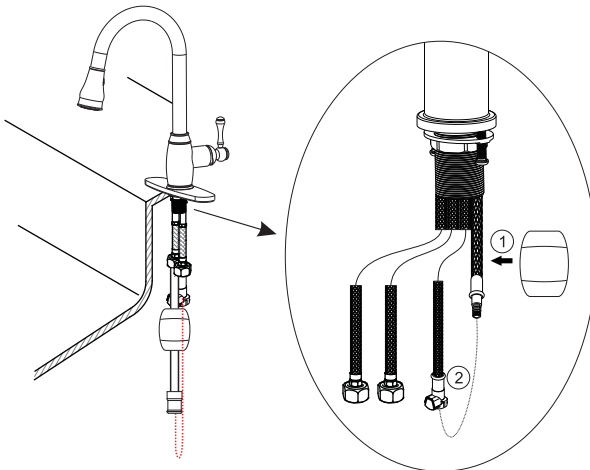
2. Insert faucet body into the hole on the countertop. Attach rubber washer, metal washer, mounting nut, and mounting screws from underneath the sink.

3



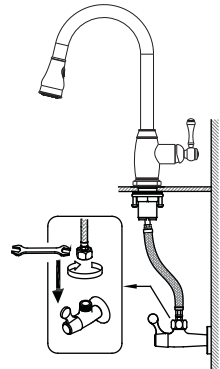
3. Adjust direction of faucet body. Tighten mounting nut until snug. Tighten mounting screws to nut with a screwdriver until snug.

4



4. The weight balance should be 100mm high from the ground floor. Connect the weight balance to the pull-out hose, then connect the other end of the shower hose to the outlet hose until you hear a click indicating the connection is secure. This completes the installation of the weight balance and the outlet hose assembly.

5

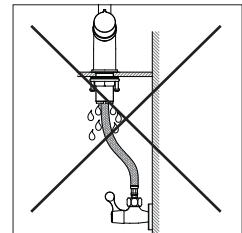
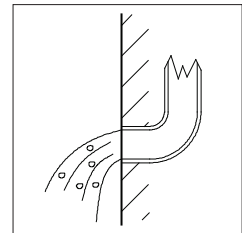
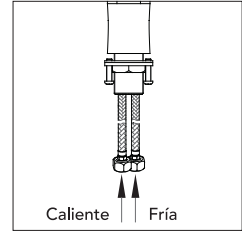


5. Connect hot and cold inlet hoses to the angle stops. Tighten with a wrench until snug. Turn on hot and cold angle stops and check for leaks.

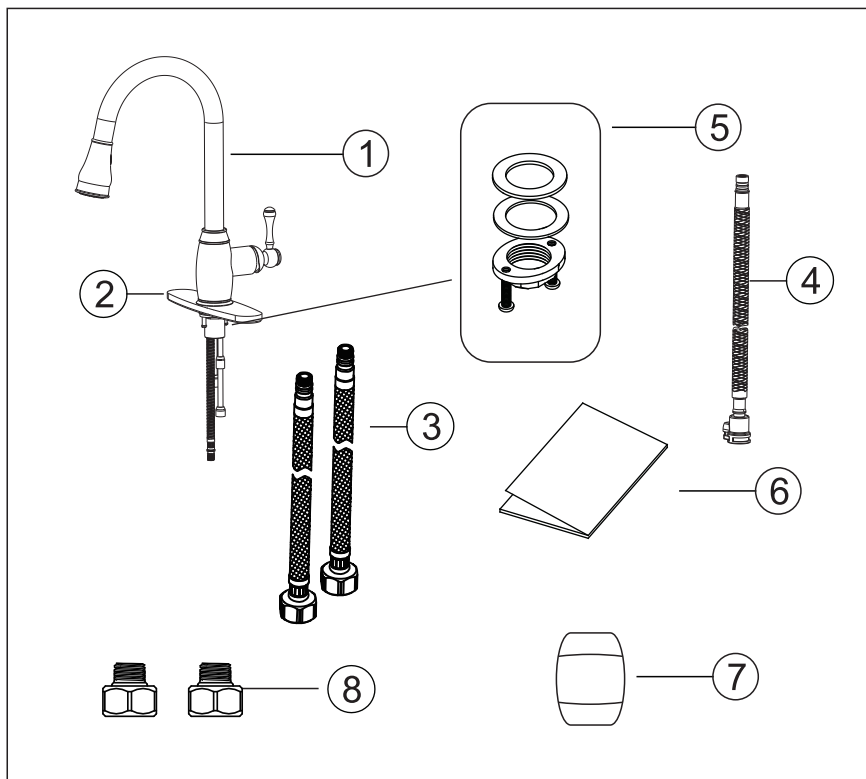
# Antes de la instalación

---

1. Asegúrese de que todas las piezas necesarias estén disponibles consultando el diagrama y la lista de componentes.
2. Asegúrese de que su lavabo sea compatible con el tamaño del grifo de cocina.
3. No desmonte el cuerpo principal del grifo, ya que ha sido correctamente instalado y probado antes de salir de fábrica.
4. Cierre el suministro de agua caliente y fría antes de comenzar la instalación.
5. Para evitar obstrucciones en el grifo, enjuague las tuberías de agua antes de la instalación.
6. Después de completar la instalación, verifique todas las uniones y conexiones para asegurarse de que no haya fugas.



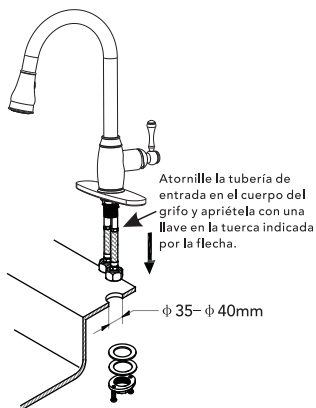
# Lista de piezas estándar



N.º	Nombre de la pieza	Cantidad
1	Cuerpo del grifo	1
2	Base	1
3	Tubería de entrada	1
4	Tubo de conexión rápida	1 par
5	Accesorios de montaje (arandela de goma), arandela metálica, tuerca de montaje, tornillos de montaje	1 juego
6	Manual de instrucciones	1
7	Contrapeso	1
8	Adaptador de manguera para cambiar de G9/16 a G1/2	2

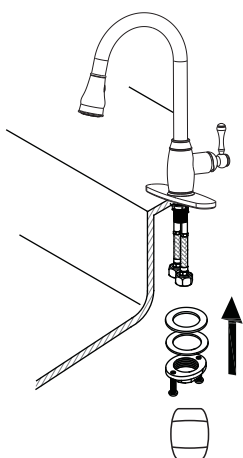
# Paso de instalación

1



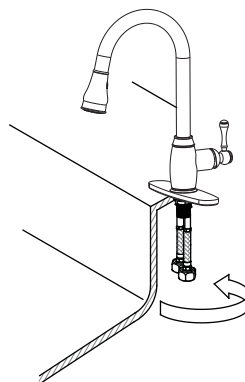
1. Retire el hardware de montaje del vástago. La junta debe permanecer en el cuerpo del grifo.

2



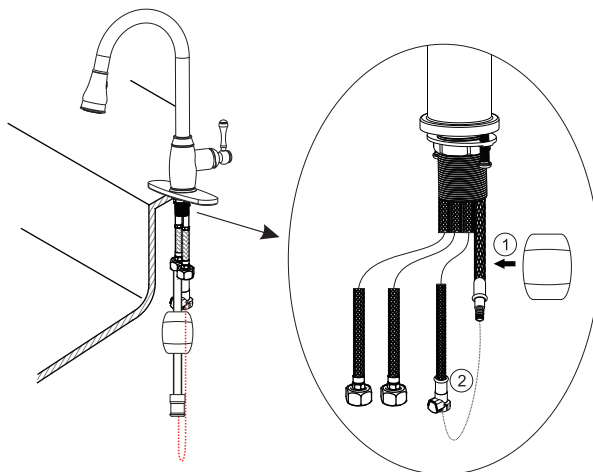
2. Inserte el cuerpo del grifo en el agujero de la encimera. Coloque la arandela de goma, la arandela de metal, la tuerca de montaje y los tornillos de montaje desde debajo del fregadero.

3



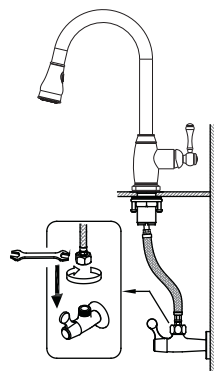
3. Ajuste la dirección del cuerpo del grifo. Apriete la tuerca de montaje hasta que esté ajustada. Apriete los tornillos de montaje a la tuerca con un destornillador hasta que estén ajustados.

4



4. El contrapeso debe estar a 100 mm del suelo. Conecte el contrapeso a la manguera extraíble, luego conecte el otro extremo de la manguera de ducha a la manguera de salida hasta que escuche un clic que indica que la conexión está segura. Esto completa la instalación del contrapeso y el conjunto de mangueras de salida.

5



5. Conecte las mangueras de entrada de agua caliente y fría a los stops angulares. Apriete con una llave hasta que estén ajustados. Abra los stops angulares de agua caliente y fría y verifique si hay fugas.