

# **Wall-mounted Basin Faucet Installation Manual**

**W-82(ES)**

# Warranty Duration

All components of this faucet system are covered under a lifetime limited warranty, ensuring they are free from defects in material and workmanship for the original purchaser.

# Repair and Replacement

If the product shows defects in material or workmanship under normal use and within the warranty period, we will, at our discretion, either repair the product or provide a replacement at no cost to the original purchaser. Please note that proof of purchase (e.g., an invoice) is required when requesting service. The warranty does not cover damages caused by improper installation, misuse, or modifications.

# Exclusions

We shall not be responsible for the following cases:

- Damage to the product caused by improper installation, misuse, unauthorized repair or replacement, or abuse (including damage during shipment).
- Damage to the product caused by improper dismantling after installation.
- Damage resulting from abnormal water pressure or impurities in water pipes, which is not covered under this warranty.
- Rust on the product due to insufficient care and maintenance, which is not covered under this warranty.
- Damage caused by natural disasters such as fire, flood, earthquake, lightning storms, etc., which is not covered under this warranty.

I hope this helps! If you have any further questions or concerns, please let me know.

# Having Trouble? Contact us.

✉ Email: [info@faucetsupport.com](mailto:info@faucetsupport.com)

☎ Toll Free: 1-888-969-6880



**M2019I**  
**SFS-1126**  
**Model:A**

## **CONTENT**

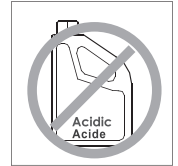
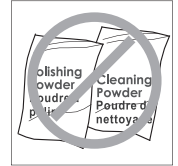
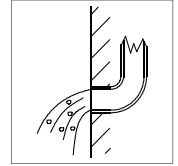
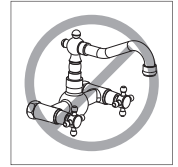
**1.Wall-mounted Basin Faucet Installation Manual ----- (1-4)**

## **CONTENIDO**

**1.Manual de Instalación del Grifo para Lavabo de Pared ----- (5-8)**

## ◆ Installation and Maintenance Matters

1. Check the accessories list to verify that all parts are complete in this package.
2. Do not disassemble the main body by yourself.
3. Connect inlet pipes to supply valves.
4. Make sure inlet pipes and supply valves have no impurities and are cleaned, with no impurities in the pipeline.
5. After installation, check all joints for leakages.
6. Do not leave the rain shower system exposed to a severely corrosive environment.



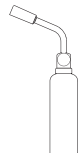
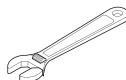
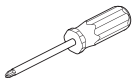
### Do's

1. In order to keep the mixer surface bright, please clean the mixer regularly.
2. Rinse the faucet with clean water and wipe it with a soft cotton cloth.
3. Use one of the following cleaners to remove dirt from the surface: a. Mild liquid cleaner. b. Colorless glass cleaner and powder cleaner that do not cause abrasion and can be dissolved completely. c. Polish liquid that does not cause abrasion.

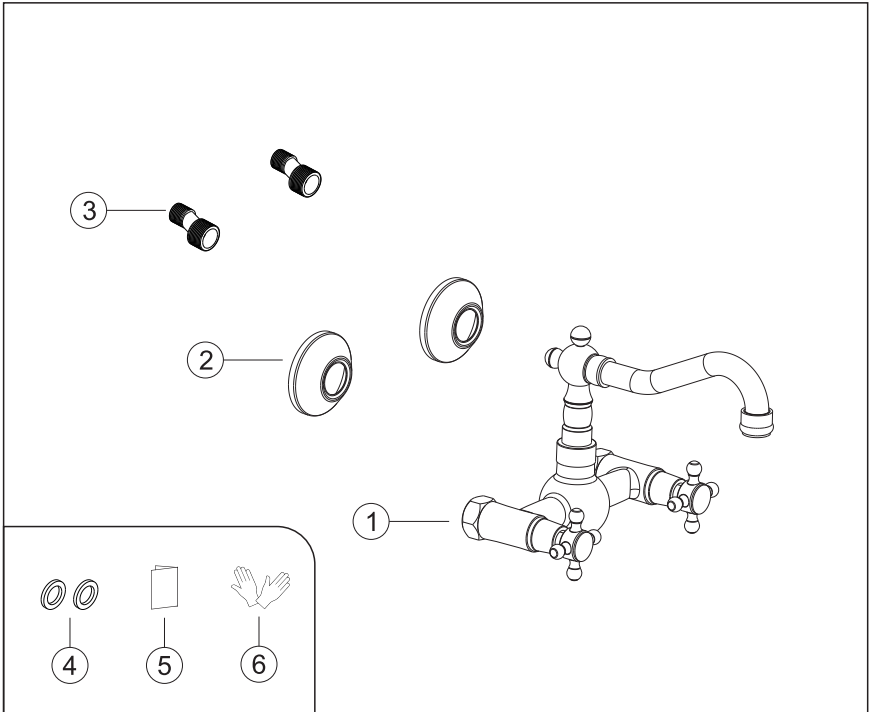
### Don'ts

- a. Avoid using cleaning powder, harsh cleaning chemicals, brushes and coarse cloth to prevent scratching and friction.
- b. Do not use acid cleaners to clean the faucet as they may cause surface corrosion of the faucet. If the faucet is exposed to harmful acid substances, please rinse it immediately with water.

### Tools Needed:



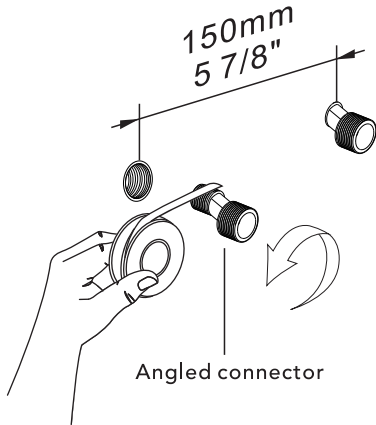
◆ **Concealed Hot and Cold Basin Faucet**  
**Model:A**  
**Accessories List**



NO.	Part Name	Qty
1	Faucet body	1
2	Flange	2
3	Angled connector	2
4	Rubber gasket	2
5	Instruction manual	1
6	Gloves	2

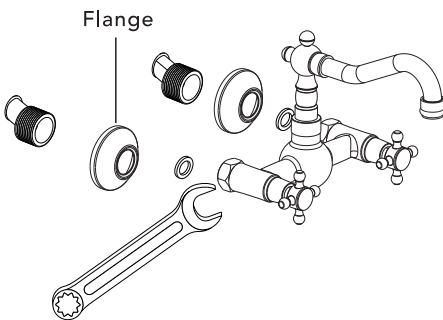
## ◆ Wall Mount Basin Faucet Installation

### Step 1



After wrapping the thread seal tape, connect the angled connector to the water outlet. The distance between the hot and cold water outlets should be 150 mm (5 7/8"), and the installation height from the floor should be adjusted according to the bathtub height.

### Step 2

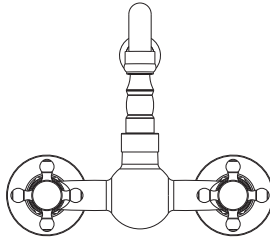


Screw the flange onto the angled connector. Then, install the faucet body onto the angled connector and tighten it with a wrench.

**(Note: It is recommended to wrap tape around the spanner to prevent scratching the product surface.)**

## ◆ Wall Mount Basin Faucet Installation

### Step 3



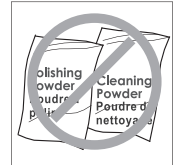
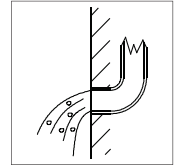
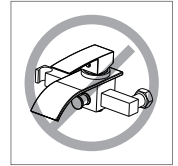
Hot water knob

Cold water knob

1. Turn on the hot and cold water handles separately to check for leaks.
2. Turn the left-hand knob for hot water and the right-hand knob for cold water.

## ◆ Instalación y cuestiones de mantenimiento

1. Verifique la lista de accesorios para comprobar que todas las partes están completas en este paquete.
2. No desmonte el cuerpo principal por sí mismo.
3. Conecte las tuberías de entrada a las válvulas de suministro.
4. Asegúrese de que las tuberías de entrada y las válvulas de suministro no tengan impurezas y estén limpias, sin impurezas en la tubería.
5. Después de la instalación, verifique todas las uniones para detectar fugas.
6. No deje el sistema de ducha tipo lluvia expuesto a un ambiente severamente corrosivo.



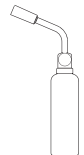
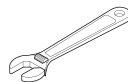
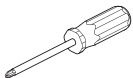
### Hacer

1. En para mantener la superficie de la batidora brillante, limpie el mezclador regularmente.
2. Inse el grifo con agua limpia y límpielo con un suave ropa de algodón.
3. Utilice uno de los siguientes limpiadores para eliminar la suciedad de la superficie: a. Limpiador líquido suave. b. Limpiador de vidrio incoloro y limpiador en polvo que no causen abrasión y que se puedan disolver completamente. c. Líquido pulidor que no cause abrasión.

### No es decir

- A. Valte con polvo de limpieza, productos químicos de limpieza duros, cepillos y tela gruesa para evitar rasgar y fricción.
- B. No use limpiadores de ácidos para limpiar el grifo, ya que pueden causar corrosión superficial del grifo. Si el grifo está expuesto a sustancias ácidas dañinas, enjuague inmediatamente con agua.

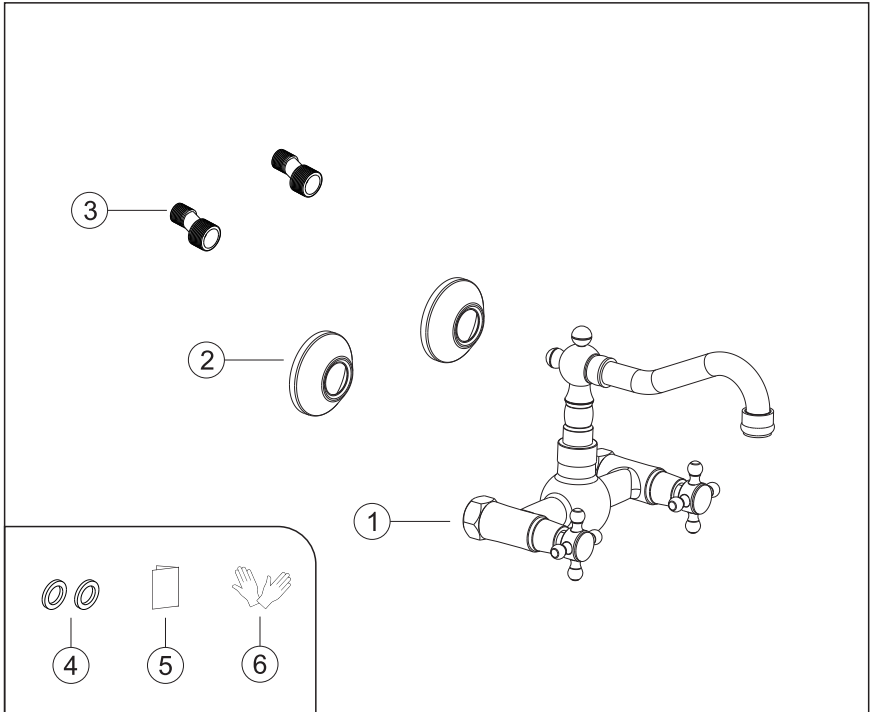
## HERRAMIENTAS NECESARIAS:



♦ **Grifo de lavabo empotrado para agua fría y caliente**

**Modelo:A**

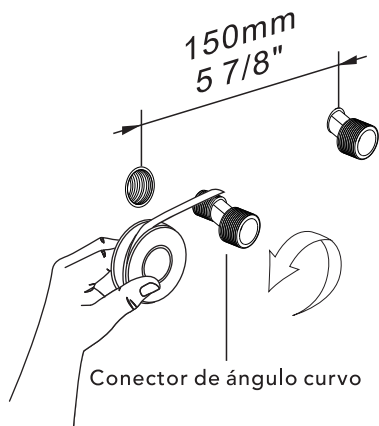
**Lista de accesorios**



N.º	Nombre de la pieza	Cant.
1	Cuerpo del grifo	1
2	Brida	2
3	Conector de ángulo curvo	2
4	Junta de goma	2
5	Manual de instrucciones	1
6	Guantes	2

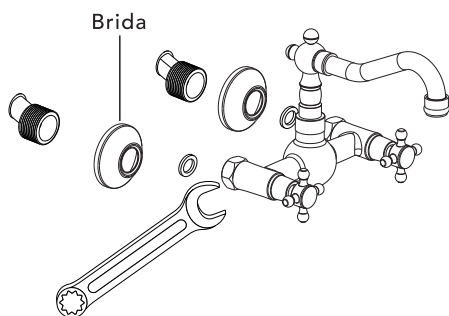
## ◆ Instalación del grifo de lavabo de pared.

### Paso 1



Después de envolver la cinta, conecta el conector de ángulo curvo a la salida de agua. La distancia entre las salidas de agua caliente y fría debe ser de 150 mm (5 7/8"), y la altura de instalación desde el suelo debe ajustarse según la altura de la bañera.

### Paso 2

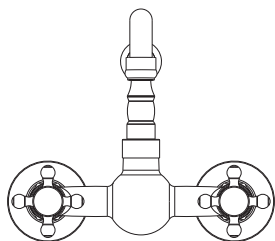


Enrosca la brida en el conector de ángulo curvo. Luego, instala el cuerpo del grifo en el conector de ángulo curvo y ajústalo con una llave.

**(Nota: Se recomienda envolver un poco de cinta alrededor de la llave para evitar rayar la superficie del producto.)**

## ◆ Instalación del grifo de lavabo de pared.

### Paso 3



Perilla de agua  
caliente

Perilla de agua fría

1. Abre las manijas de agua caliente y fría por separado para verificar si hay fugas.
2. Gira la perilla izquierda para el agua caliente y la perilla derecha para el agua fría.