

Balance Shower Faucet Installation Manual

W-36.1(ES)

Warranty Duration

All parts of this faucet system are warranted to the original purchaser to be free from defects in material and workmanship for a lifetime.

Repair and Replacement

If the product has defects in material and workmanship within the warranty period, we will repair or replace the product free of charge. However, you may be required to provide the invoice when requesting repairs or replacement from us.

Exclusions

We shall not be responsible for the following cases:

- Damage to the product caused by improper installation, misuse, unauthorized repair or replacement, or abuse (including damage during shipment).
- Damage to the product caused by improper dismantlement after installation.
- Damage resulting from abnormal water pressure and impurities in water pipes is not covered under this warranty.
- Rust on the product due to insufficient care and maintenance is not covered under this warranty.
- Damage caused by natural disasters such as fire, flood, earthquake, electric storms, etc., is not covered under this warranty.

I hope this helps! If you have any further questions or concerns, please let me know.

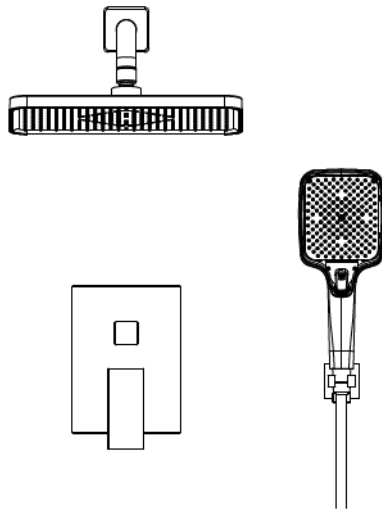
Having Trouble? Contact us.

✉ Email: info@faucetsupport.com

☎ Toll Free: 1-888-969-6880



FC **C** **€** **RoHS**



M6722
SFS-1075

CONTENT

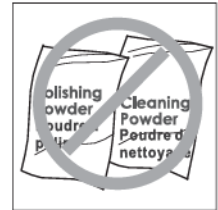
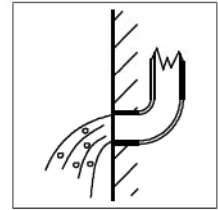
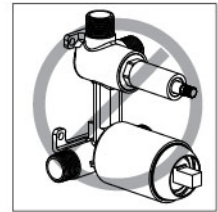
1. Balance Shower Faucet Installation Manual ----- (1-6)

CONTENIDO

1. Manual de instalación del grifo de ducha con balance ----- (7-12)

◆ Installation and maintenance matters

1. Check the accessories list to verify that all parts are complete in this package.
2. Do not disassemble the main body by yourself.
3. Connect inlet pipes to supply valves.
4. Make sure inlet pipes and supply valves have no impurities and are cleaned, with no impurities in the pipeline.
5. After installation, check all joints for leakages.
6. Do not leave the rain shower system exposed to a severely corrosive environment.



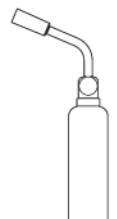
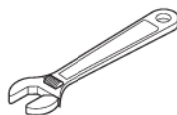
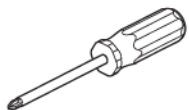
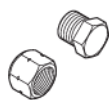
Do's

1. In order to keep the mixer surface bright, please clean the mixer regularly.
2. Rinse the faucet with clean water and wipe it with a soft cotton cloth.
3. Use one of the following cleaners to remove dirt from the surface:
a. Mild liquid cleaner.
b. Colorless glass cleaner and powder cleaner that do not cause abrasion and can be dissolved completely.
c. Polish liquid that does not cause abrasion.

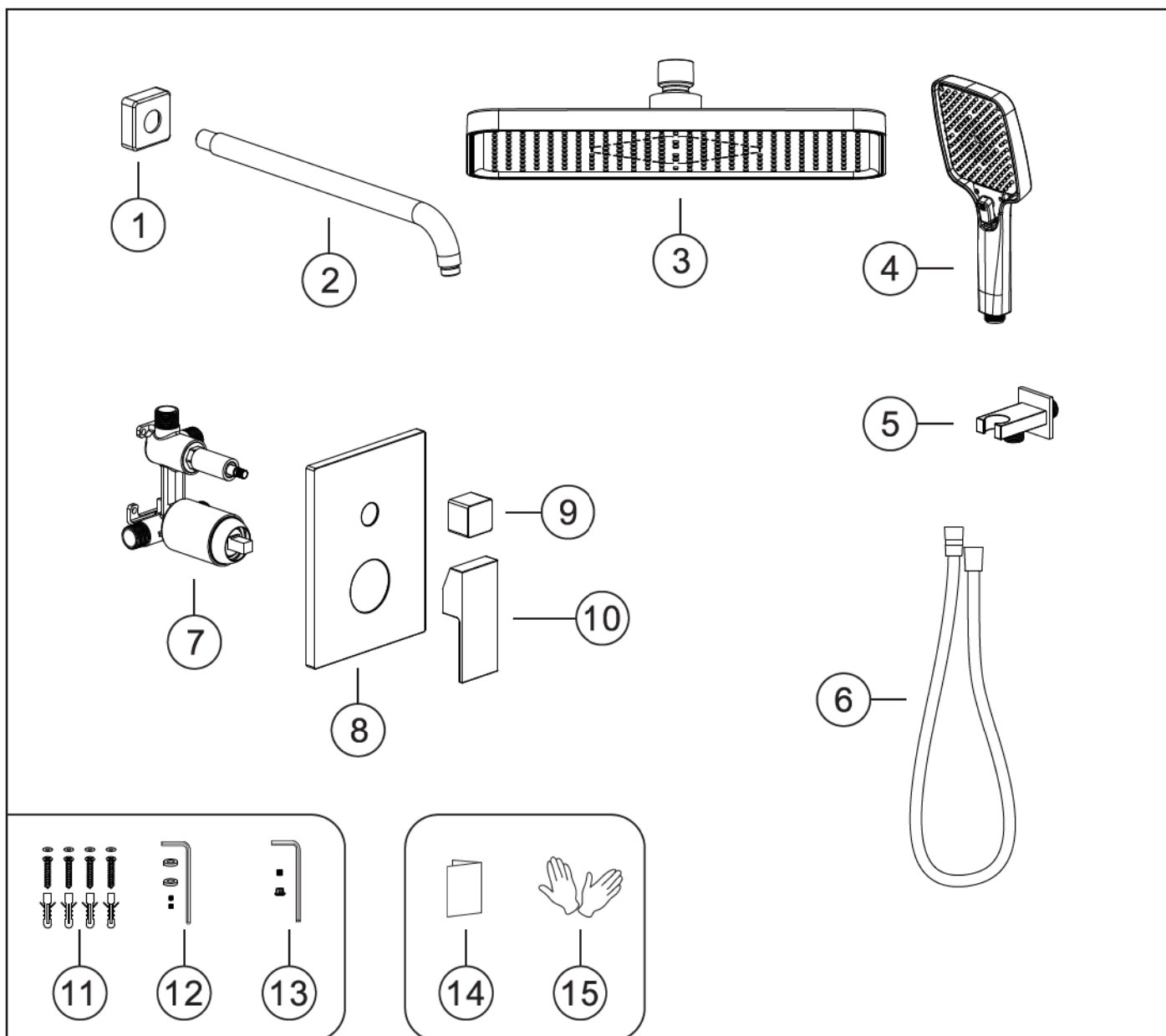
Don'ts

- a. Avoid using cleaning powder, harsh cleaning chemicals, brushes and coarse cloth to prevent scratching and friction.
- b. Do not use acid cleaners to clean the faucet as they may cause surface corrosion of the faucet. If the faucet is exposed to harmful acid substances, please rinse it immediately with water.

TOOLS NEEDED:

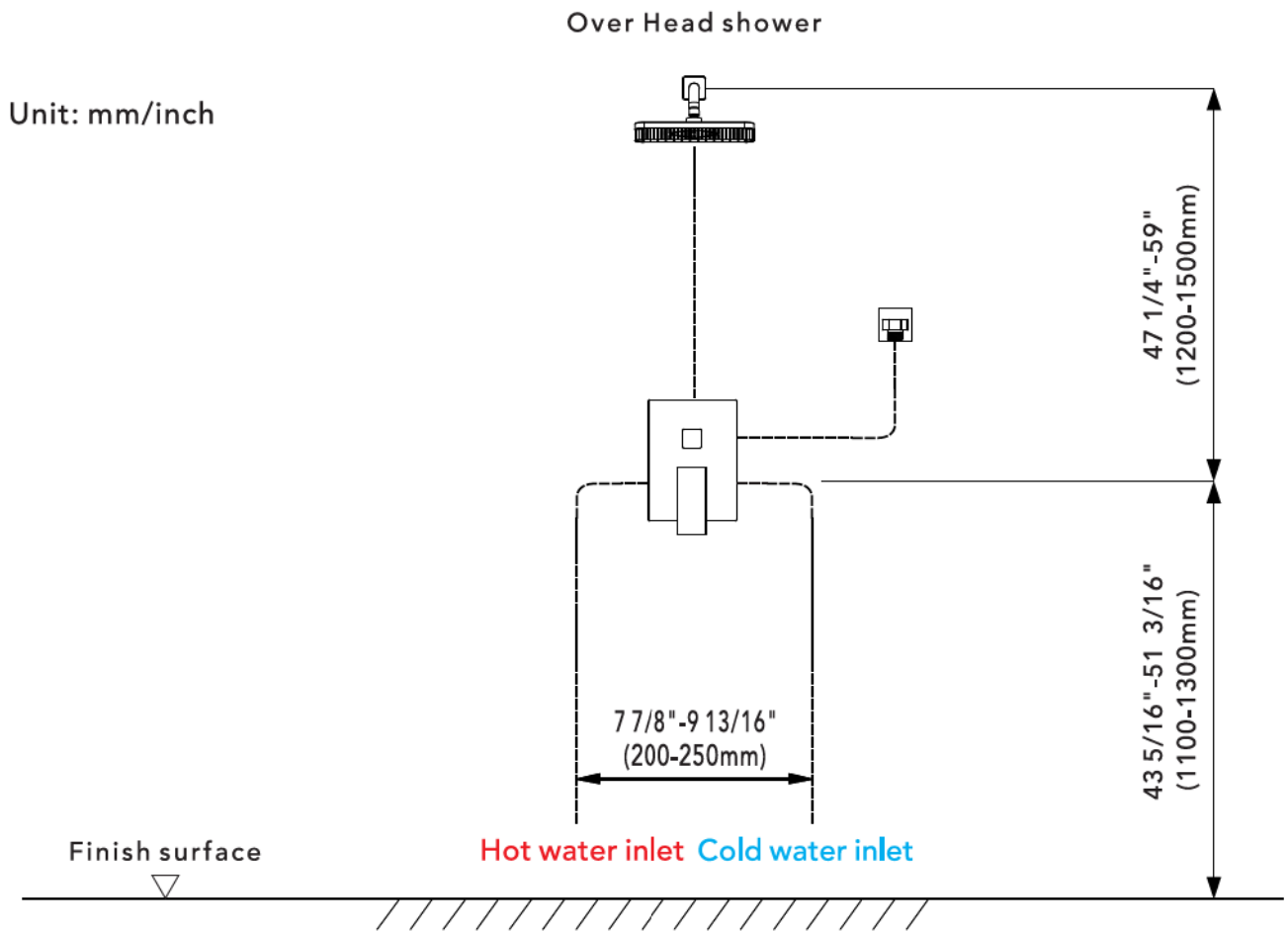


◆ 2-Function Luxury Shower Faucet Accessories List

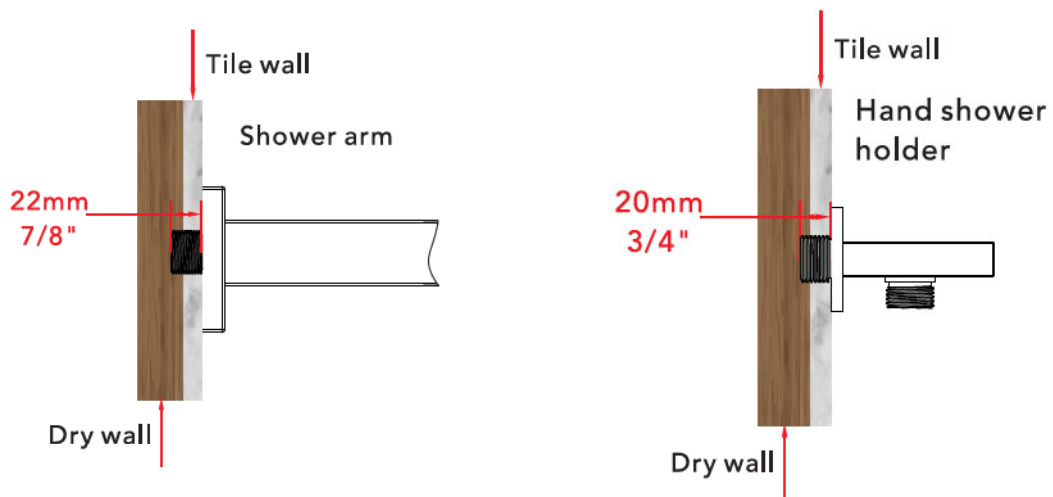


| No. | Part name | Qty | No. | Part name | Qty |
|-----|--------------------|-----|-----|--------------------------|------|
| 1 | Shower arm cup | 1 | 9 | Water diverter | 1 |
| 2 | Shower arm | 1 | 10 | Handle | 1 |
| 3 | Shower head | 1 | 11 | Main body spare parts | 4 |
| 4 | Shower hand | 1 | 12 | Hand Shower holder parts | 1set |
| 5 | Hand Shower holder | 1 | 13 | Handle parts | 1set |
| 6 | PVC Shower hose | 1 | 14 | Instruction manual | 1 |
| 7 | Main body | 1 | 15 | Gloves | 2 |
| 8 | Deck plate | 1 | | | |

◆ **Essential dimensions & water pipe line**



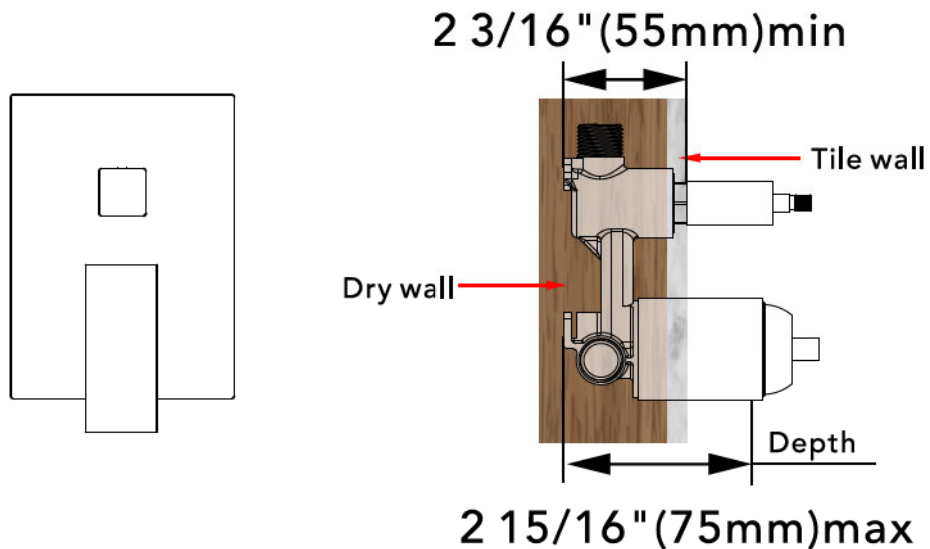
◆ **The installation depth of shower holder**



The thickness of the tile must be calculated for installation.

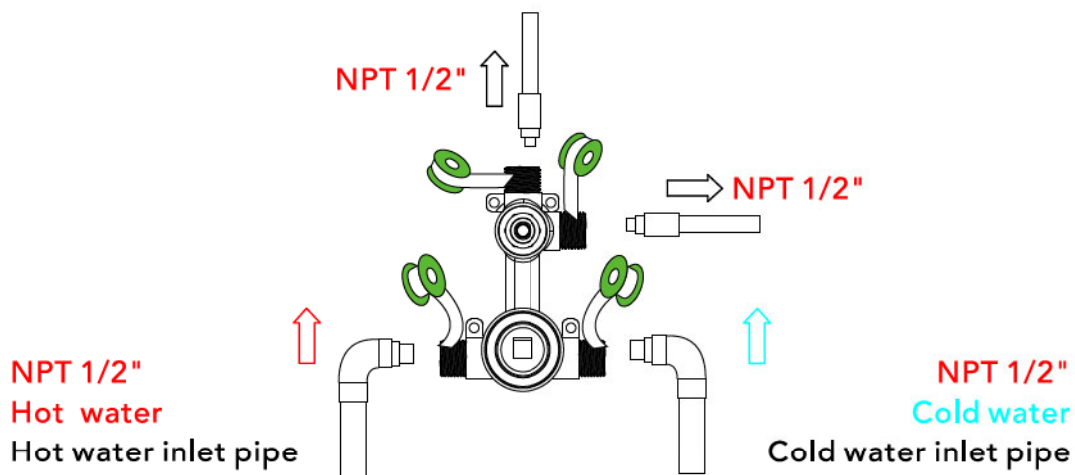
Connector size of male thread: USA: 1/2"-14NPT, Canada: 1/2"-14NPT, Europe: G1/2".

◆ Installation Depth Of Main Body



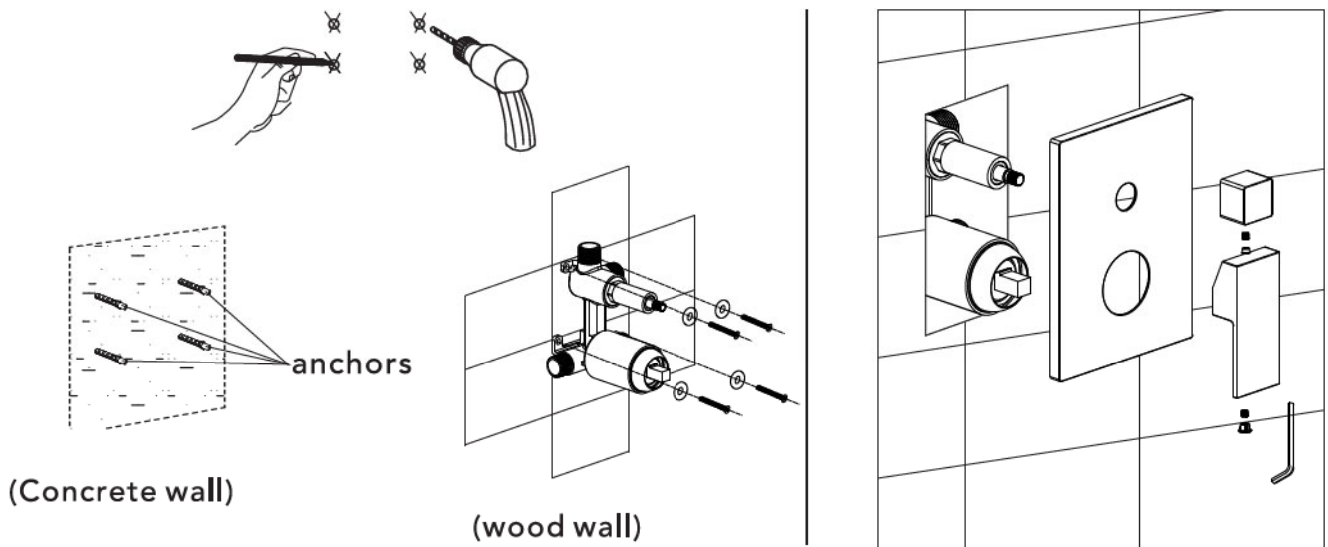
- Notice: 1. The installation depth of the main body should be no less than 2 3/16" (55mm) and no more than 2 15/16" (75mm), including the thickness of the tile. Otherwise, the deck plate cannot be installed.
2. The opening size of ceramic tile shall be smaller than the deck plate size.

◆ Piping Instructions Before Tiling



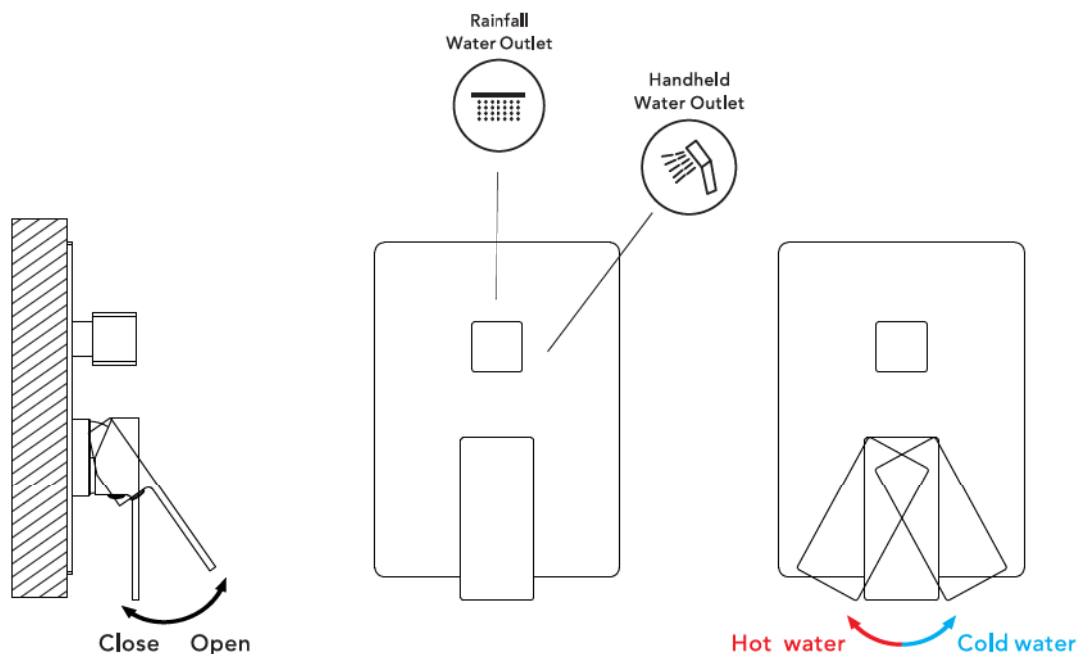
1. As shown in the figure, the inlet and outlet pipes are pre-buried. Please pay attention to the correct direction when installing the pre-buried main body.
2. Before tiling, turn on the water to test whether the left and right inlet pipes are tightly connected without leakage. Then, adjust the flow switch to the "on" position to check for leaks in the mixed outlet pipes.

◆ Main Body Valve Installation



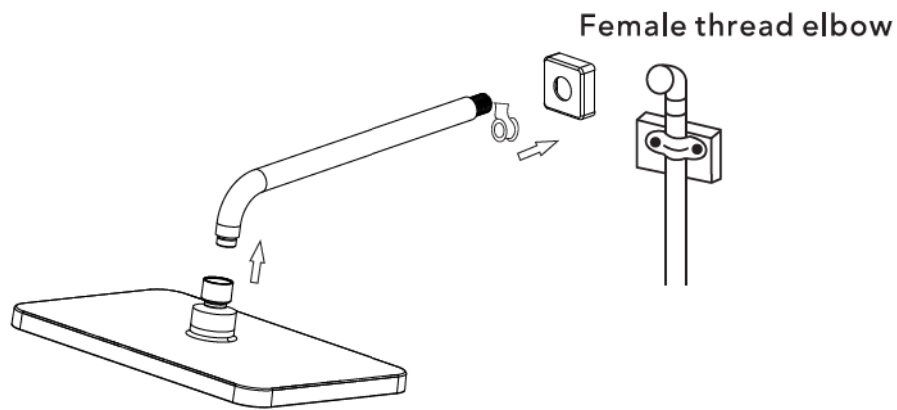
1. Make marks according to the size of the main body valve, and then drill anchors into the wall (concrete wall).
 2. Lock the main body to wood directly with screws (wood wall).
 3. When installing the main body, please mark the UP side up and do not install it upside down.
- ▲ Please note that the level meter should be parallel to the wall; otherwise, the deck plate cannot be installed.

◆ Main Body Water Outlet Switch Control



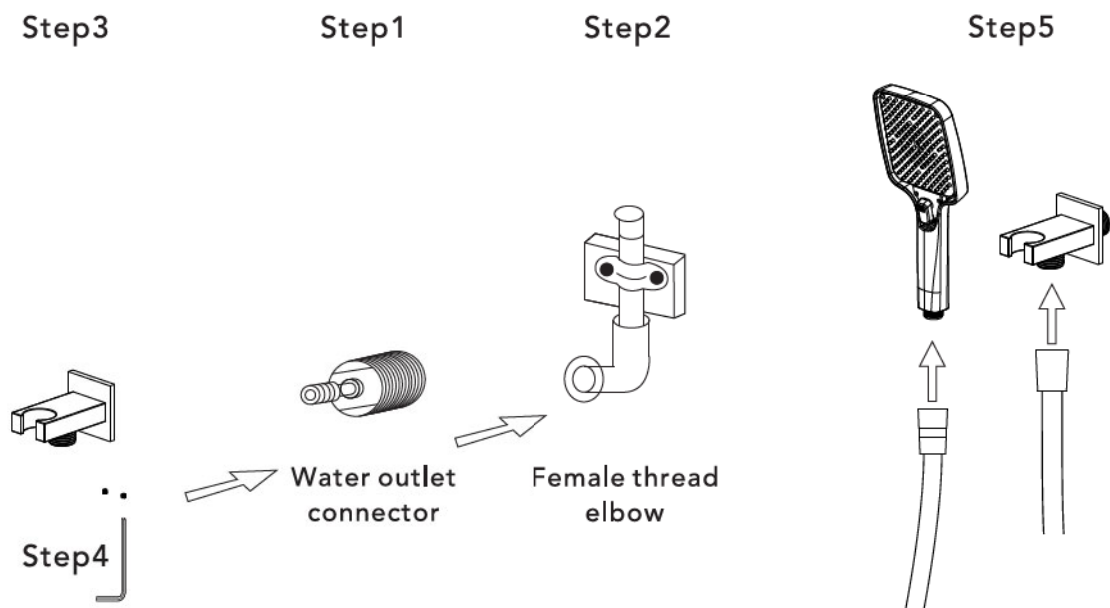
1. Open the water valve and check for any leakage
2. Turn the handle upwards to open the water valve. The turning angle can control the water outflow rate. Then, the user can turn it to the left or right to control the water temperature, where the left is for hot water and the right is for cold water.
3. The switch valve can alternate the water outlet between the shower head, body jet, and handheld shower

◆ Installation of the Hand Shower Head



1. Connect shower arm with the cover before screwing arm into riser connection to prevent damage.
2. Fix shower head onto shower arm and apply tape to pipe threads on both ends.
3. Do not over tighten shower head. It is 360° swivel connection.

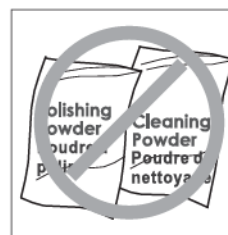
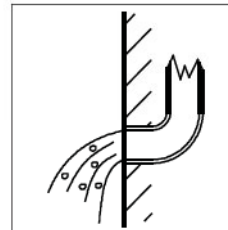
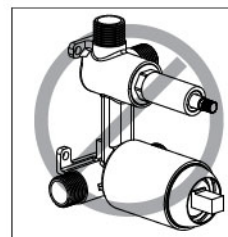
◆ Installation The Hand Show Holder



- Step1. Remove the male connector from the top of the shower holder (do not damage the gasket, otherwise it will leak).
- Step2. Screw the thread into the water pipe inside the wall
- Step3. Screw the main body into the thread.
- Step4. Rotate and fix the body with the special-shaped wrench
- Step5. Connect hand shower and the hose.

◆ Instalación y cuestiones de mantenimiento

1. Verifique la lista de accesorios para comprobar que todas las partes están completas en este paquete.
2. No desmonte el cuerpo principal por sí mismo.
3. Conecte las tuberías de entrada a las válvulas de suministro.
4. Asegúrese de que las tuberías de entrada y las válvulas de suministro no tengan impurezas y estén limpias, sin impurezas en la tubería.
5. Después de la instalación, verifique todas las uniones para detectar fugas.
6. No deje el sistema de ducha tipo lluvia expuesto a un ambiente severamente corrosivo.



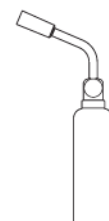
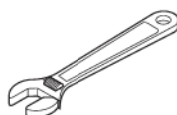
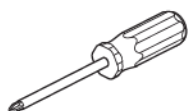
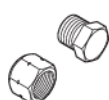
Hacer

1. En para mantener la superficie de la batidora brillante, limpie el mezclador regularmente.
2. Inse el grifo con agua limpia y límpielo con un suave ropa de algodón.
3. Utilice uno de los siguientes limpiadores para eliminar la suciedad de la superficie: a. Limpiador líquido suave. b. Limpiador de vidrio incoloro y limpiador en polvo que no causen abrasión y que se puedan disolver completamente. c. Líquido pulidor que no cause abrasión.

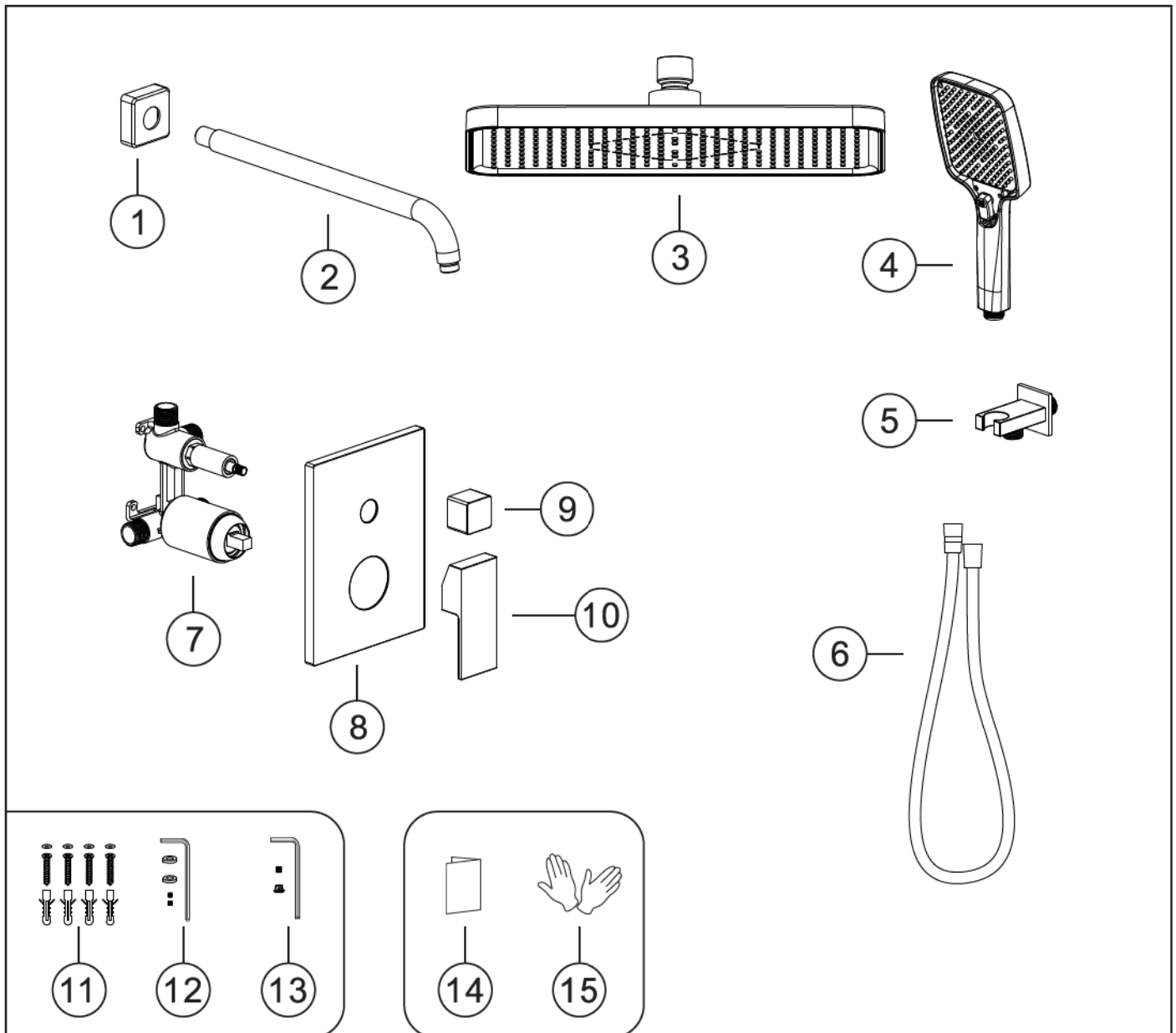
No es decir

- A. Valte con polvo de limpieza, productos químicos de limpieza duros, cepillos y tela gruesa para evitar rascar y fricción.
- B. No use limpiadores de ácidos para limpiar el grifo, ya que pueden causar corrosión superficial del grifo. Si el grifo está expuesto a sustancias ácidas dañinas, enjuague inmediatamente con agua.

HERRAMIENTAS NECESARIAS:

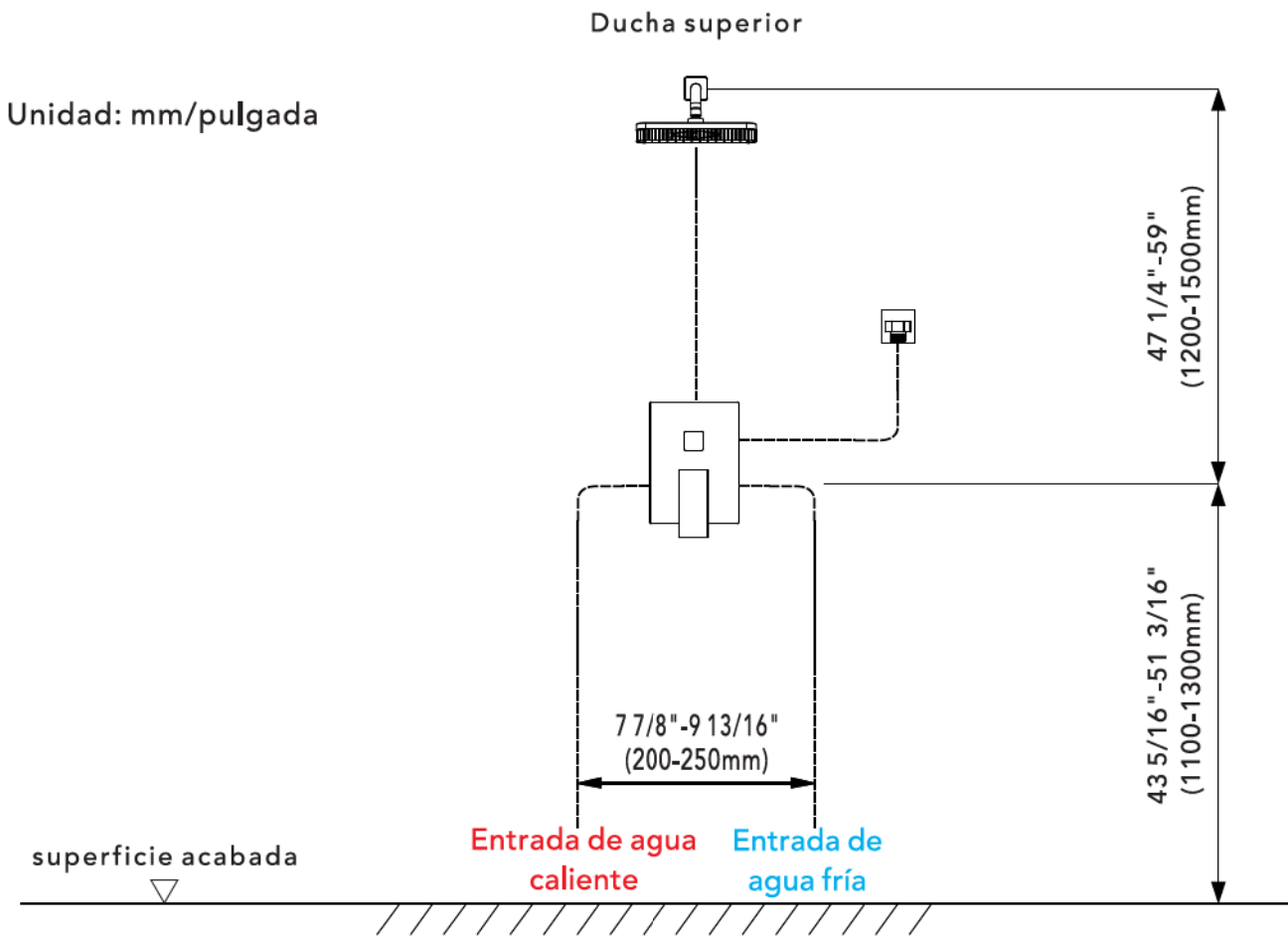


◆ **Grifo de ducha de lujo con 2 funciones**
Lista de accesorios

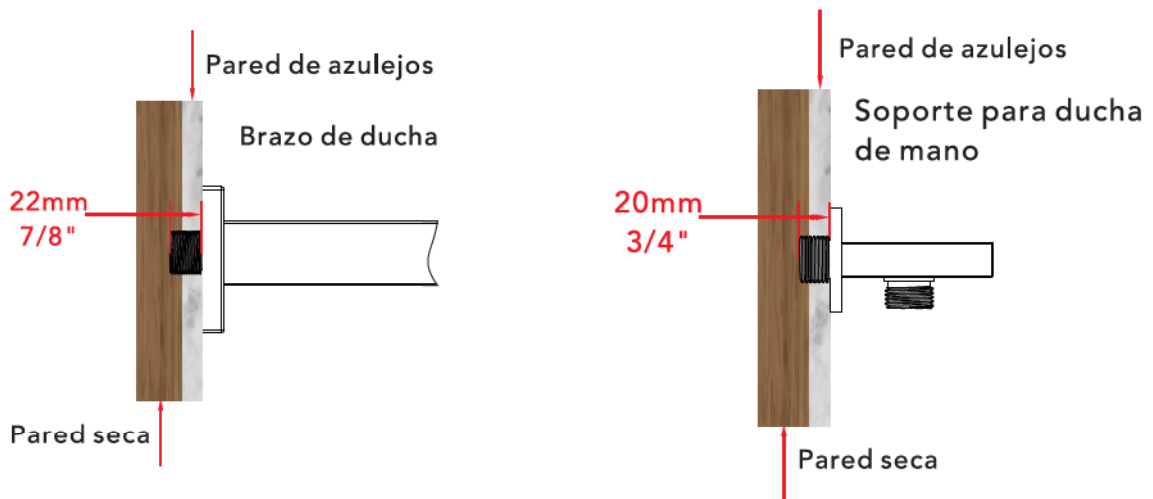


| N.º | Nombre de la pieza | Cantidad | N.º | Nombre de la pieza | Cantidad |
|-----|----------------------------|----------|-----|---|----------|
| 1 | Copa del brazo de ducha | 1 | 9 | Desviador de agua | 1 |
| 2 | Brazo de ducha | 1 | 10 | Manija | 1 |
| 3 | Cabezal de ducha | 1 | 11 | Piezas de repuesto del cuerpo principal | 4 |
| 4 | Ducha de mano | 1 | 12 | Piezas del soporte para ducha de mano | 1set |
| 5 | Soporte para ducha de mano | 1 | 13 | Piezas de la manija | 1set |
| 6 | Manguera de ducha de PVC | 1 | 14 | Manual de instrucciones | 1 |
| 7 | Cuerpo principal | 1 | 15 | Guantes | 2 |
| 8 | Placa base | 1 | | | |

◆ Dimensiones esenciales & línea de tubería de agua



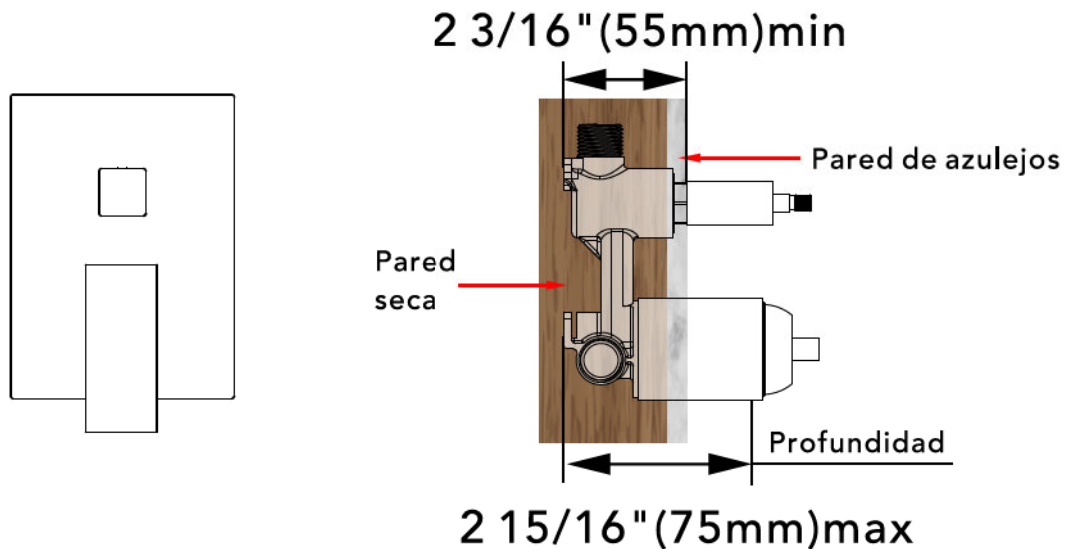
◆ La profundidad de instalación del soporte de ducha



El grosor del azulejo debe ser calculado para la instalación.

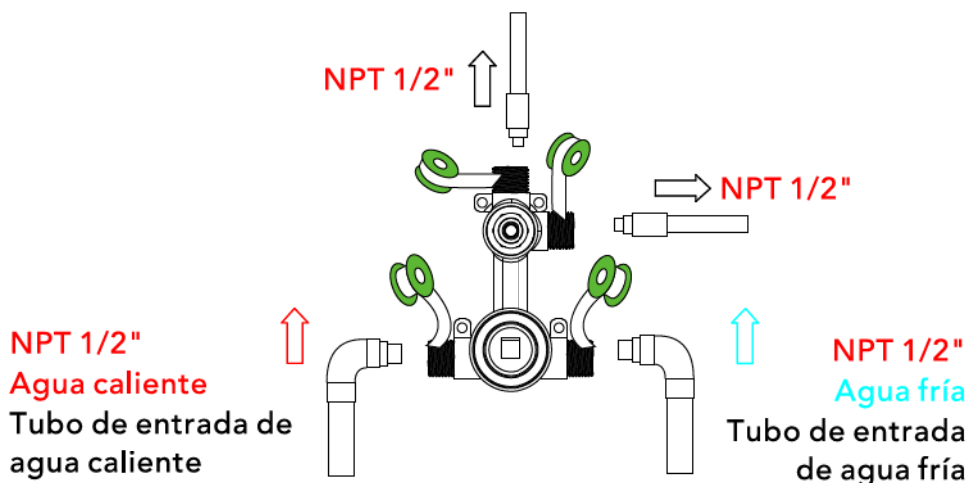
Tamaño del conector de rosca macho: EE. UU.: 1/2"-14NPT, Canadá: 1/2"-14NPT, Europa: G1/2".

◆ Profundidad de Instalación del Cuerpo Principal



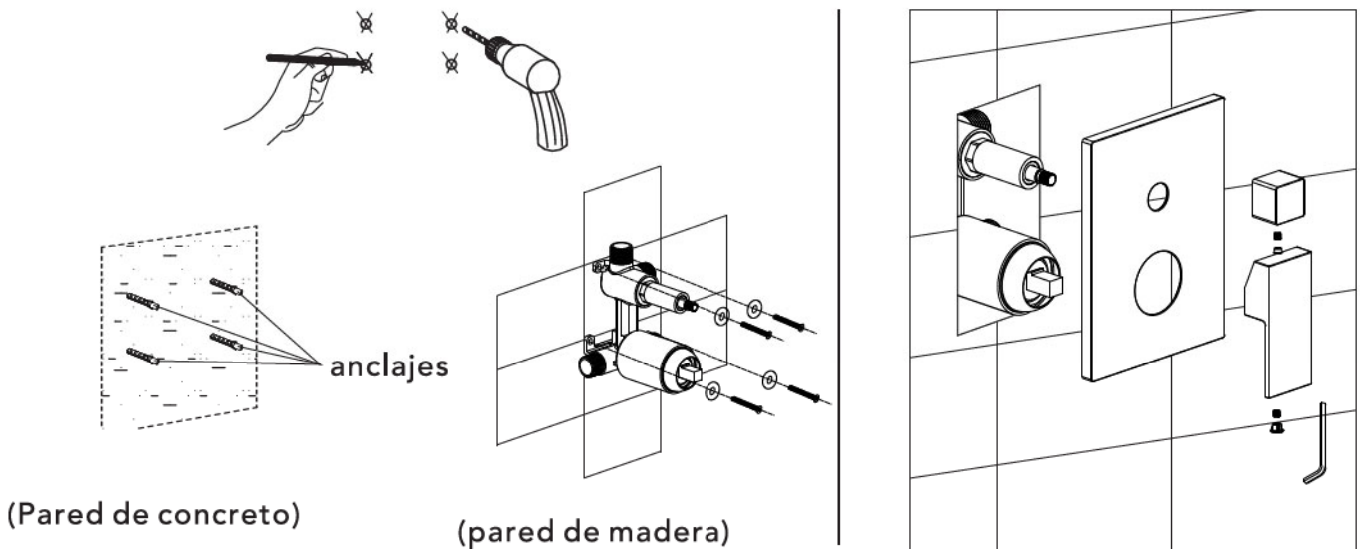
- Aviso: 1. La profundidad de instalación del cuerpo principal no debe ser inferior a 2 3/16" (55mm) y no más de 2 15/16" (75mm), incluyendo el grosor del azulejo. De lo contrario, la placa de cubierta no podrá ser instalada.
2. El tamaño de apertura del azulejo cerámico debe ser menor que el tamaño de la placa de cubierta.

◆ Instrucciones de Tubería Antes de Colocar Azulejos



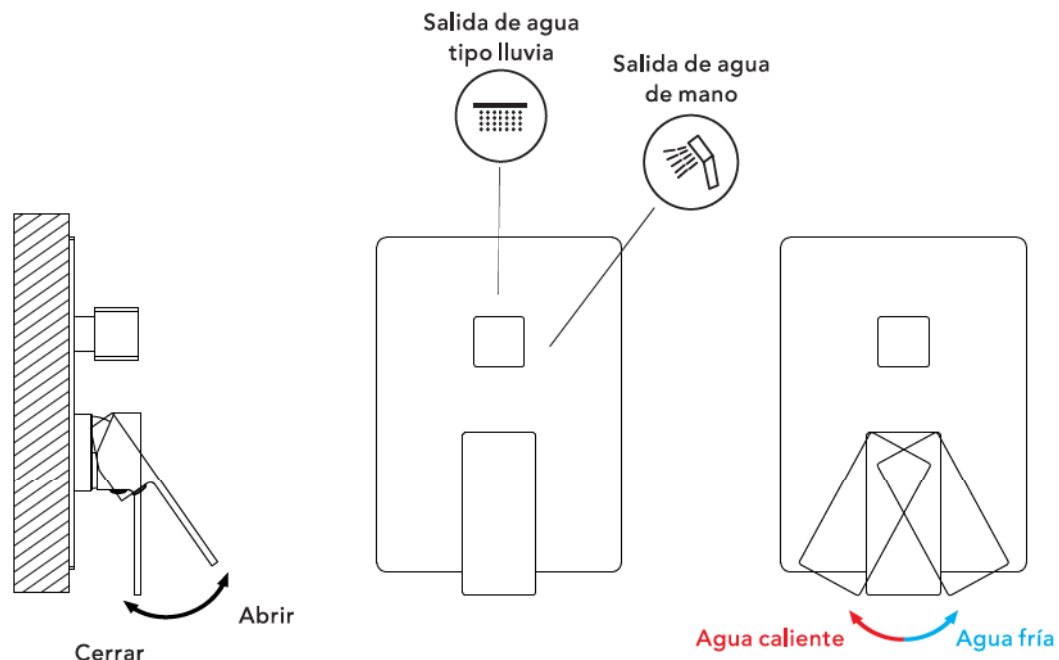
1. Como se muestra en la figura, las tuberías de entrada y salida están pre-enterradas. Por favor, preste atención a la dirección correcta al instalar el cuerpo principal pre-enterrado.
2. Antes de colocar los azulejos, abra el agua para probar si las tuberías de entrada izquierda y derecha están conectadas herméticamente sin fugas. Luego, ajuste el interruptor de flujo a la posición "on" para comprobar si hay fugas en las tuberías de salida mezcladas.

◆ Instalación de la Válvula del Cuerpo Principal



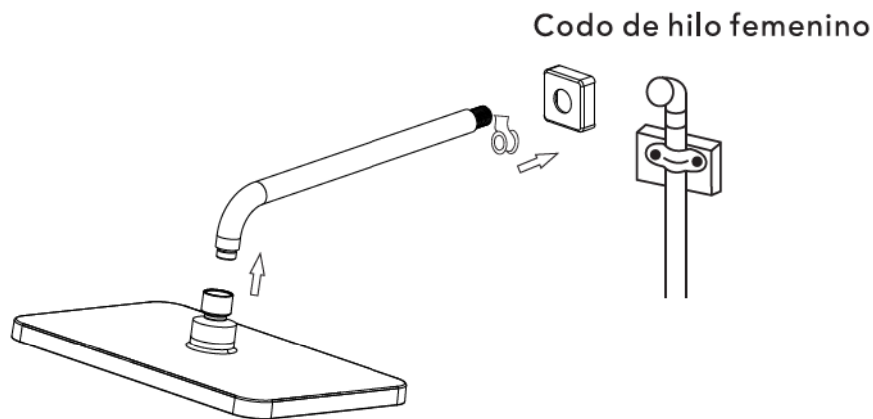
1. Marque según el tamaño de la válvula del cuerpo principal y luego perfora para colocar los anclajes en la pared (pared de concreto).
 2. Fije directamente el cuerpo principal a la madera con tornillos (pared de madera).
 3. Al instalar el cuerpo principal, por favor marque el lado UP hacia arriba y no lo instale al revés.
- ▲ Tenga en cuenta que el nivel debe estar paralelo a la pared; de lo contrario, la placa de cubierta no podrá ser instalada.

◆ Control del Interruptor de Salida de Agua del Cuerpo Principal



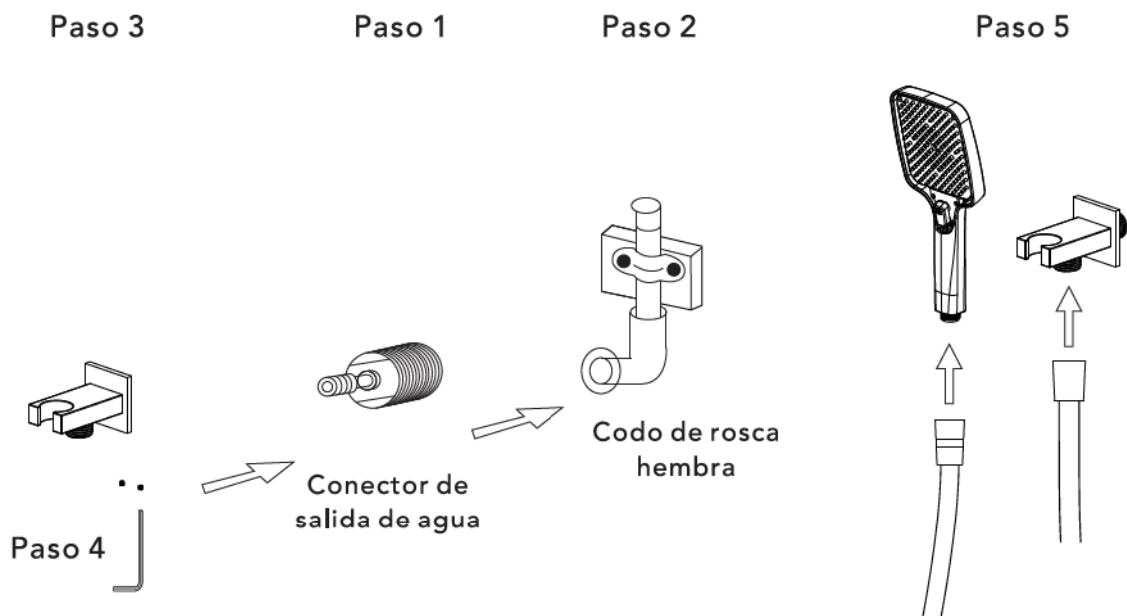
1. Abra la válvula de agua y verifique si hay alguna fuga.
2. Gira la manija hacia arriba para abrir la válvula de agua. El ángulo de giro puede controlar la tasa de flujo de salida del agua. Luego, el usuario puede girarlo hacia la izquierda o hacia la derecha para controlar la temperatura del agua, donde la izquierda es para agua caliente y la derecha es para agua fría.
3. La válvula de cambio puede alternar la salida de agua entre la ducha, el chorro corporal y la ducha manual.

◆ La instalación de la ducha de techo.



1. Conecte el brazo de la ducha con la cubierta antes de atornillar el brazo en la conexión del elevador con prevenir el daño.
2. Fije el cabezal de la ducha en el brazo de la ducha y aplique cinta adhesiva para las roscas de tubos en ambos extremos.
3. No revolotee la cabeza de ducha. Es una conexión giratoria de 360 °.

◆ Instalación del Soporte para la Ducha de Mano



Paso 1. Retire el conector macho de la parte superior del soporte de la ducha (no dañe la junta, de lo contrario, habrá fugas).

Paso 2. Enrosque la rosca en la tubería de agua dentro de la pared

Paso 3. Enrosque el cuerpo principal en la rosca.

Paso 4. Rote y fije el cuerpo con la llave especial.

Paso 5. Conecte la ducha manual y la manguera.

Warranty Duration

All parts of this faucet system are warranted to the original purchaser to be free from defects in material and workmanship for a lifetime.

Repair and Replacement

If the product has defects in material and workmanship within the warranty period, we will repair or replace the product free of charge. However, you may be required to provide the invoice when requesting repairs or replacement from us.

Exclusions

We shall not be responsible for the following cases:

- Damage to the product caused by improper installation, misuse, unauthorized repair or replacement, or abuse (including damage during shipment).
- Damage to the product caused by improper dismantlement after installation.
- Damage resulting from abnormal water pressure and impurities in water pipes is not covered under this warranty.
- Rust on the product due to insufficient care and maintenance is not covered under this warranty.
- Damage caused by natural disasters such as fire, flood, earthquake, electric storms, etc., is not covered under this warranty.

I hope this helps! If you have any further questions or concerns, please let me know.

Having Trouble? Contact us.

✉ Email: info@faucetsupport.com

☎ Toll Free: 1-888-969-6880



FC **C** **€** **RoHS**

Warranty Duration

All parts of this faucet system are warranted to the original purchaser to be free from defects in material and workmanship for a lifetime.

Repair and Replacement

If the product has defects in material and workmanship within the warranty period, we will repair or replace the product free of charge. However, you may be required to provide the invoice when requesting repairs or replacement from us.

Exclusions

We shall not be responsible for the following cases:

- Damage to the product caused by improper installation, misuse, unauthorized repair or replacement, or abuse (including damage during shipment).
- Damage to the product caused by improper dismantlement after installation.
- Damage resulting from abnormal water pressure and impurities in water pipes is not covered under this warranty.
- Rust on the product due to insufficient care and maintenance is not covered under this warranty.
- Damage caused by natural disasters such as fire, flood, earthquake, electric storms, etc., is not covered under this warranty.

I hope this helps! If you have any further questions or concerns, please let me know.

Having Trouble? Contact us.

✉ Email: info@faucetsupport.com

☎ Toll Free: 1-888-969-6880



FC **C** **€** **RoHS**